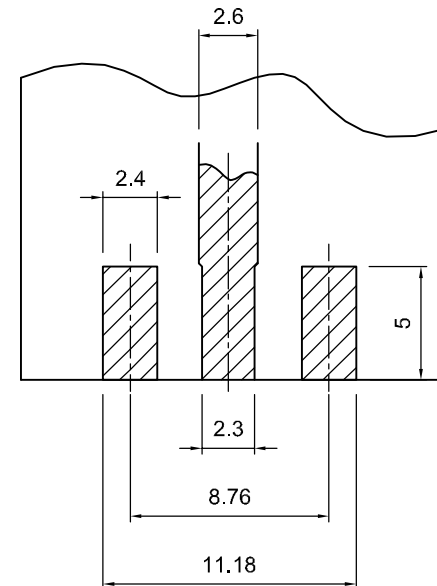
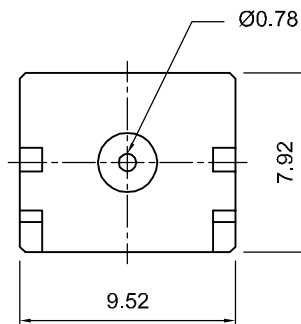
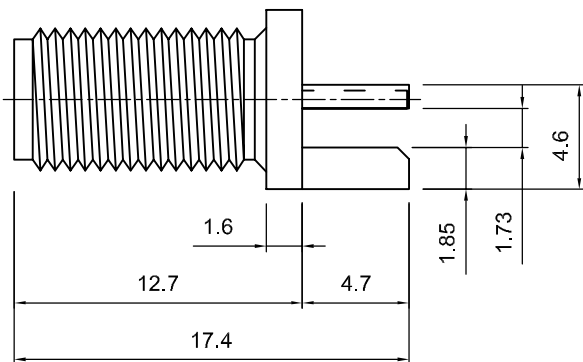
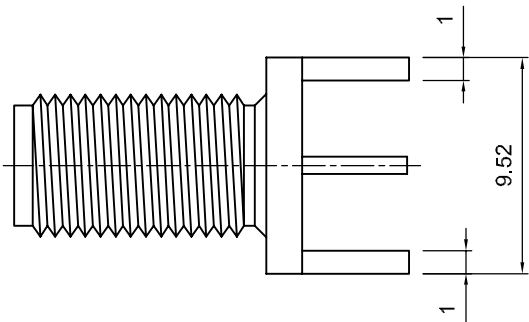


**Tolerances**

- 1-20=+/-0.2
- 20-30=+/-0.3
- 30-40=+/-0.4
- 40-50=+/-0.5
- 50-100=+/-0.75
- 100-300=+/-1.5
- Angles=+/-1

**Dimensions are in Millimeters**

Revisions Description/Approved/Date	Approved M.H.	Date
	Checked M.H.	Date
	Drawn K.R.E.	Date
NOTES (plating thickness in micro-inches): 1. Per QQ-B-626 2. Per QQ-S-764 3. Per QQ-C-530 4. Per QQ-B-750 5. Per MIL-P-19468 6. Per ZZ-R-765 7. Per WW-T-799 8. Gold pl. 5 min. over nickel pl. 50 min. over copper strike 9. Nickel pl. 100 min. over copper strike 10. Per QQ-P-35 11. Gold pl. 5 min. over nickel pl. 50 min. over copper strike		



LANDING PAD DIMENSIONS

ITEM	MATERIAL	FINISH
Connector Body	Brass, Note 1	Gold, Note 8
Center Contact: Female	BeCu, Note 3	Gold, Note 11
Insulation	Teflon, Note 5	None
Ferrule	--	--
Gasket	--	--
Hex Nut	--	--
Lock Washer	--	--



**Lighthouse Technologies, Inc.**

5640 Kearny Mesa Road, Suite N  
San Diego, CA 92111

Part Number:  
**LTI-SASF95MGT**

Description  
SMA End Launch Jack, Medium Barrel Length, wide flange

for 0.062" PCB

Scale 1:1	Drawing No. SASF95MGT	File Name SASF95MGT
--------------	--------------------------	------------------------