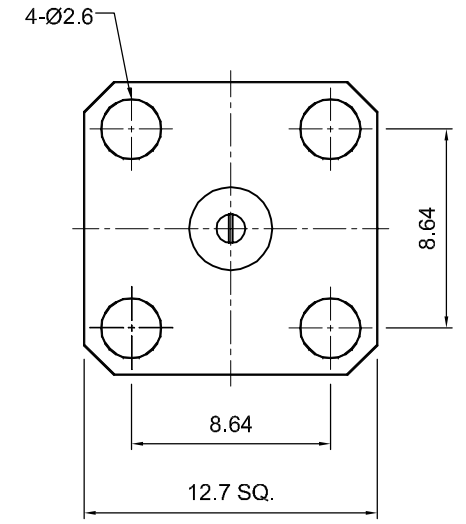
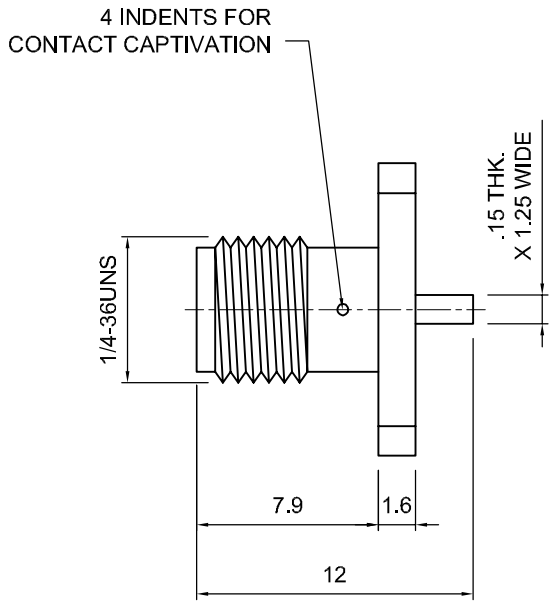



| | | | |
|--|--|------------------|------------------|
| Tolerances 1-20=+/-0.2 20-30=+/-0.3 30-40=+/-0.4 40-50=+/-0.5 50-100=+/-0.75 100-300=+/-1.5 Angles=+/-1 Dimensions are in Millimeters | Revisions Description/Approved/Date | Approved M.H. | Date 03/18/00 |
| | 1. Shoulder removed, tab width, overall length / M.H. / 07/21/02 | Checked M.H. | Date 03/18/00 |
| | | Drawn K.R.E. | Date 03/16/00 |
| NOTES (plating thickness in micro-inches): 1. Per QQ-B-626 2. Per QQ-S-764 3. Per QQ-C-530 4. Per QQ-B-750 5. Per MIL-P-19468 6. Per ZZ-R-765 7. Per WW-T-799 8. Gold pl. 5 min. over nickel pl. 50 min. over copper strike 9. Nickel pl. 100 min. over copper strike 10. Per QQ-P-35 11. Gold pl. 30 min. over nickel pl. 50 min. over copper strike | | | |



| ITEM | MATERIAL | FINISH | Lighthouse Technologies, Inc. | | |
|------------------------|--------------------------|---------------|---|--|-----------|
| Connector Body | Brass, Note 1 | Gold, Note 8 |  | 5640 Kearny Mesa Road, Suite N San Diego, California 92111 | |
| Center Contact: Female | Beryllium Copper, Note 3 | Gold, Note 11 | | Part Number: LTI-SASF72SFGT | |
| Insulation | Teflon, Note 5 | None | | Description SMA panel mount jack with tab terminal and 4-hole square flange. Gold plated brass body, teflon dielectric. | |
| Ferrule | -- | -- | Scale | Drawing No. | File Name |
| Gasket | -- | -- | 3:1 | SMA/SASF72SF | SASF72SF |
| Hex Nut | -- | -- | | | |
| Lock Washer | -- | -- | | | |