

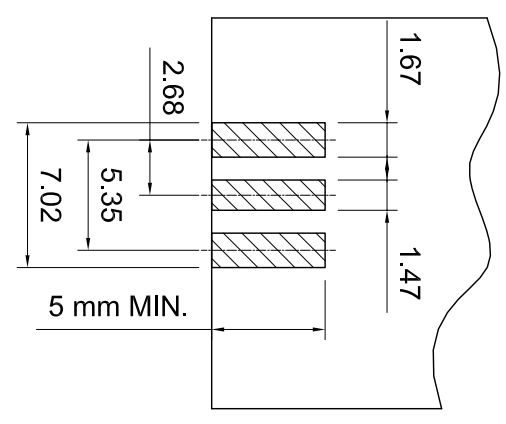
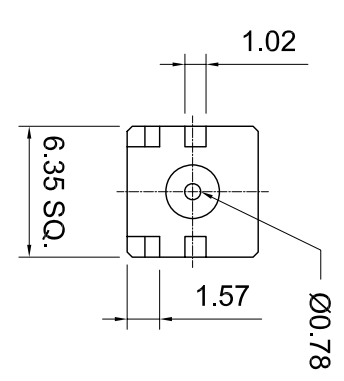
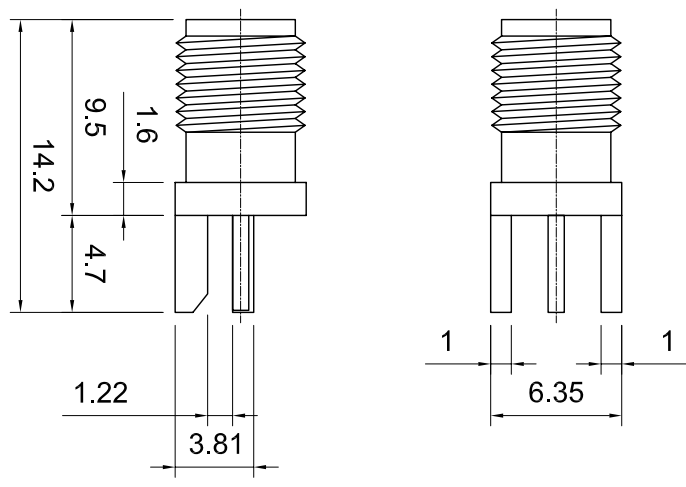
Tolerances	
1-20=+/-0.2	
20-30=+/-0.3	
30-40=+/-0.4	
40-50=+/-0.5	
50-100=+/-0.75	
100-300=+/-1.5	
Angles=+/-1	

Dimensions are in Millimeters

Revisions	Approved	Date
Description/Approval/Date	M.H.	03/10/99
	Checked	Date
	M.H.	03/10/99
	Drawn	Date
	T.J.A.	03/10/99


NOTES (plating thickness in microinches):

- Per QQ-B-626
- Per QQ-S-764
- Per QQ-C-530
- Per QQ-B-750
- Per MIL-P-19488
- Per ZZ-R-765
- Per WW-1-799
- Gold pl. 5 min. over nickel pl. 50 min. over copper strike
- Nickel pl. 100 min. over copper strike
- Per QQ-P-35
- Gold pl. 30 min. over nickel pl. 50 min. over copper strike



LANDING PAD DIMENSIONS

ITEM	MATERIAL	FINISH
Connector Body	Brass, Note 1	Gold, Note 8
Center Contact: Female	BeCu, Note 3	Gold, Note 11
Insulation	Teflon, Note 5	None
Ferrule	--	--
Gasket	--	--
Hex Nut	--	--
Lock Washer	--	--

		Lighthouse Technologies, Inc. 5640 Keamy Mesa Road, Suite N San Diego, California 92111 Part Number: LTI-SASF55ZGT-4
Description SMA end-launch jack for .042 and .048 mil board.		
Gold plated brass body, Teflon dielectric.		File Name SASF55Z-4
Scale 3:1	Drawing No.	