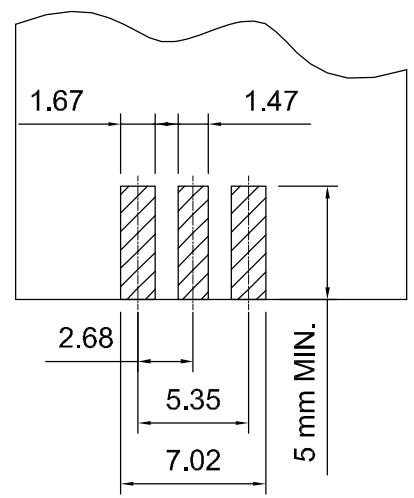
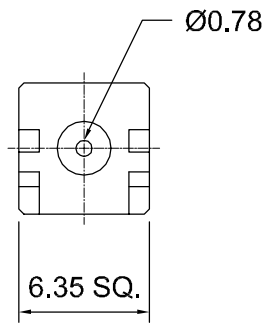
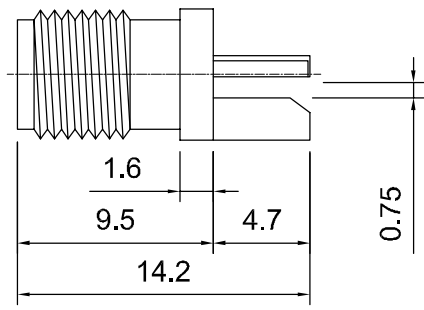
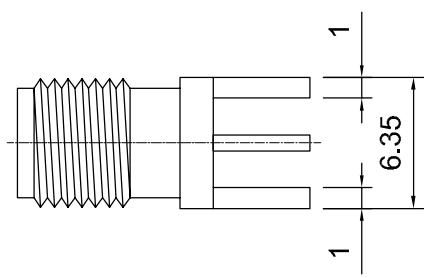



Tolerances
 1-20=+/-0.2
 20-30=+/-0.3
 30-40=+/-0.4
 40-50=+/-0.5
 50-100=+/-0.75
 100-300=+/-1.5
 Angles=+/-1
Dimensions are in Millimeters

Revisions Description/Approved/Date	Approved M.H.	Date 03/10/99
	Checked M.H.	Date 03/10/99
	Drawn K.R.E.	Date 03/10/99
NOTES (plating thickness in micro-inches): 1. Per QQ-B-626 2. Per QQ-S-764 3. Per QQ-C-530 4. Per QQ-B-750 5. Per MIL-P-19468 6. Per ZZ-R-765 7. Per WW-T-799 8. Gold pl. 5 min. over nickel pl. 50 min. over copper strike 9. Nickel pl. 100 min. over copper strike 10. Per QQ-P-35 11. Gold pl. 30 min. over nickel pl. 50 min. over copper strike		



LANDING PAD DIMENSIONS

ITEM	MATERIAL	FINISH	Lighthouse Technologies, Inc.		
Connector Body	Brass, Note 1	Gold, Note 8	 5640 Kearny Mesa Road, Suite N San Diego, California 92111 Part Number: LTI-SASF55ZGT-3	Description	
Center Contact: Female	BeCu, Note 3	Gold, Note 11		SMA end launch jack for 30 mil board, short version.	
Insulation	Teflon, Note 5	None		Gold plated brass body, Teflon dielectric.	
Ferrule	--	--	Scale	Drawing No.	File Name
Gasket	--	--	3:1		SASF55Z-3
Hex Nut	--	--			
Lock Washer	--	--			