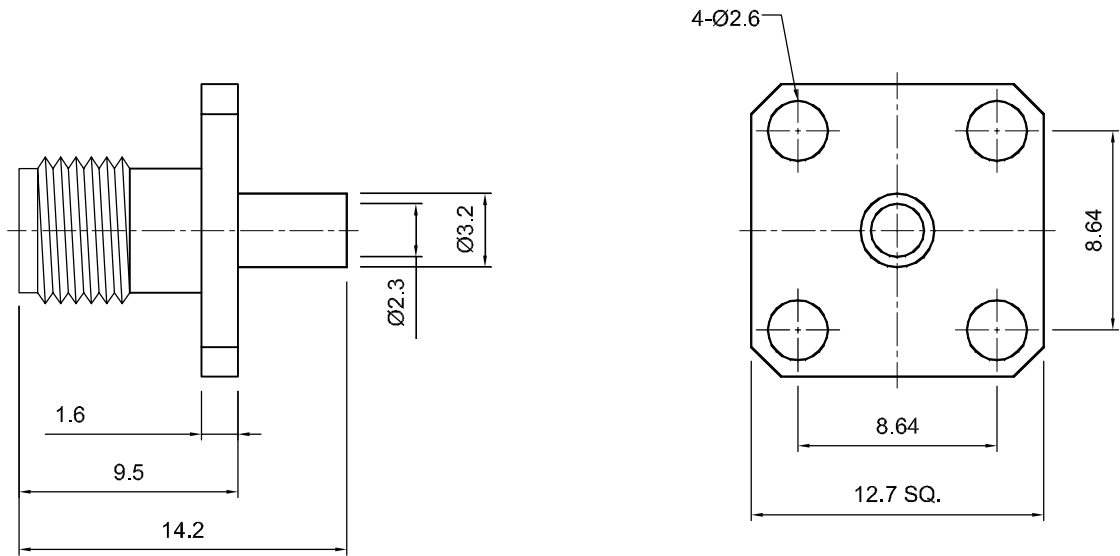



| | | | | |
|--|---|---------------------------|---|----------|
| | Tolerances 1-20=+/-0.2 20-30=+/-0.3 30-40=+/-0.4 40-50=+/-0.5 50-100=+/-0.75 100-300=+/-1.5 Angles=+/-1 Dimensions are in Millimeters | Revisions | Approved | Date |
| | | Description/Approved/Date | M.H. | 02/17/00 |
| | | | Checked | Date |
| | | | M.H. | 02/17/00 |
| | | Drawn | Date | |
| | | K.R.E. | 02/15/00 | |
| NOTES (plating thickness in micro-inches): | | 5. Per MIL-P-19468 | 9. Nickel pl. 100 min. over copper strike | |
| 1. Per QQ-B-626 | 6. Per ZZ-R-765 | 7. Per WW-T-799 | 10. Per QQ-P-35 | |
| 2. Per QQ-S-764 | 8. Gold pl. 5 min. over nickel pl. 50 min. over copper strike | | 11. Gold pl. 30 min. over nickel pl. 50 min. over copper strike | |
| 3. Per QQ-C-530 | | | | |
| 4. Per QQ-B-750 | | | | |



| ITEM | MATERIAL | FINISH | Lighthouse Technologies, Inc. | | |
|------------------------|--------------------------|---------------|--|------------------|--------------|
| Connector Body | Brass, Note 1 | Gold, Note 8 |  5640 Kearny Mesa Road, Suite N San Diego, CA 92111 Part Number: LTI-SASF32SFGT-086 | | |
| Center Contact: Female | Beryllium Copper, Note 3 | Gold, Note 11 | | | |
| Insulation | Teflon, Note 5 | None | Description | | |
| Ferrule | -- | -- | SMA panel mount solder jack for .086 semi-rigid cable. | | |
| Gasket | -- | -- | Gold plated brass body, teflon dielectric. | | |
| Hex Nut | -- | -- | Scale | Drawing No. | File Name |
| Lock Washer | -- | -- | 3:1 | SMA/SASF32SF-086 | SASF32SF-086 |