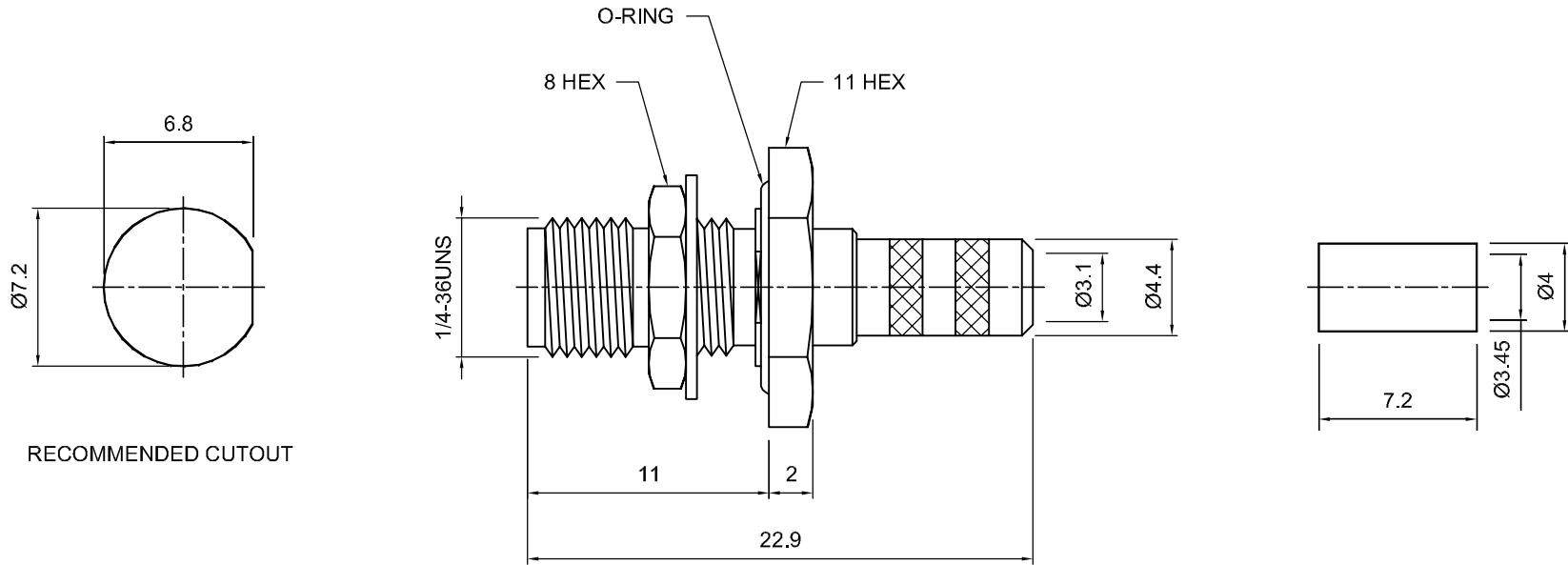



	Tolerances 1-20=+/-0.2 20-30=+/-0.3 30-40=+/-0.4 40-50=+/-0.5 50-100=+/-0.75 100-300=+/-1.5 Angles=+/-1 Dimensions are in Millimeters	Revisions	Approved	Date
		Description/Approved/Date	M.H.	10/12/00
			Checked	Date
			M.H.	10/11/00
		Drawn	Date	
		K.R.E.	10/11/00	
NOTES (plating thickness in micro-inches):		5. Per MIL-P-19468	9. Nickel pl. 100 min. over copper strike	
1. Per QQ-B-626	6. Per ZZ-R-765	7. Per WW-T-799	10. Per QQ-P-35	
2. Per QQ-S-764	8. Gold pl. 5 min. over nickel pl. 50 min. over copper strike		11. Gold pl. 30 min. over nickel pl. 50 min. over copper strike	
3. Per QQ-C-530				
4. Per QQ-B-750				



ITEM	MATERIAL	FINISH	 Lighthouse Technologies, Inc. 5640 Kearny Mesa Road, Suite N San Diego, California 92111 Part Number: LTI-SASF13ROGT-316
Connector Body	Brass, Note 1	Gold, Note 8	
Center Contact: Female	Beryllium Copper, Note 3	Gold, Note 11	
Insulation	Teflon, Note 5	None	
Ferrule	Annealed Copper, Note 7	Same as body	
Gasket	Silicone Rubber, Note 6	None	
Hex Nut	Brass, Note 1	Same as body	
Lock Washer	Brass, Note 1	Same as body	
Description			SMA bulkhead crimp jack for RG-316 with o-ring. Gold plated brass body, teflon dielectric.
Scale	Drawing No.	File Name	
3:1	SMA/SASF13RO-316	SASF13RO-316	